



Peerless, Inc.

Water Conditioning Equipment

1701 E. Vine St., P.O. Box 3615, Kalamazoo, MI 49003-3615

Phone: (269) 344-6137

Fax: (269) 344-2894

FM/FMC 3/4" Automatic Water Softeners



FM - 3/4" Automatic Water Softeners with Demand Regeneration Control

For Residential and Light Commercial Use

Full 3/4" Piping Size

Peerless^{FM} Water Softeners are designed according to the best and most sound industry practices. They are best applied for domestic or light commercial applications.

REGENERATES ONLY WHEN REQUIRED

Some softeners use a time clock to determine the frequency of regeneration based on a preset schedule. The FM model eliminates waste by regenerating **ONLY** when water usage requires it. In addition to salt and water saved, less frequent regeneration reduces sewer use taxes and drain field load.

NON-CORRODING TANKS

Constructed in one piece with no seams or joints, these durable fiberglass tanks are impervious to cracking under stress, corrosion, and electrolysis.

SOFTENING MEDIA

A high capacity resin with a consistent bead size and low fines content is used to assure peak performance and longevity.

THE BRINE SYSTEM

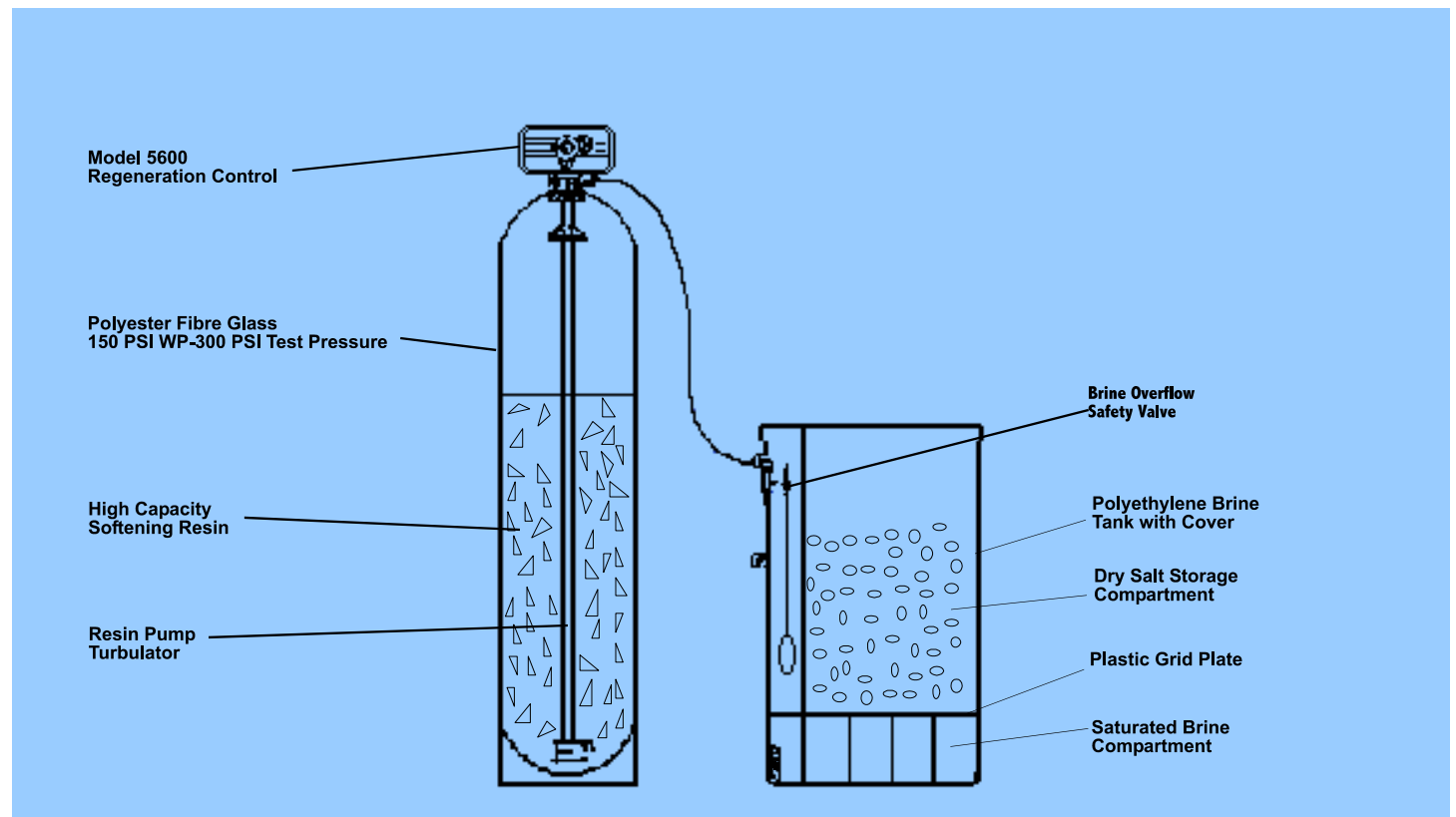
The brine tank is constructed of polyethylene and holds enough salt for ten or more regenerations between refills. It can be placed up to 15 feet away from the softener and still function at full capacity.

A time brine refill control is backed up by a brine safety float shut-off valve to minimize the chance of overflow. The brine valve shut off measures the correct amount of brine automatically.

AUTOMATIC RESET WATER METER

The FM metered demand regeneration controls eliminate unnecessary regeneration cycles. When the preset gallonage has been used, the timer starts regeneration at a pre-set time and automatically resets, making it possible to save greatly on salt requirements and conserve water as well.

Modular design and quality materials make them carefree, reliable, and precise for residential and light commercial applications. A built-in 75 gallon reserve per person automatically matches variable family size requirements.



FMC - 3/4" Automatic Water Softeners with Demand Regeneration Control

For Residential and Light Commercial Use

Full 3/4" Piping Size

Peerless FMC Water Softeners are designed according to the best and most sound industry practices. They are best applied for domestic or light commercial applications.

SAME FEATURES AS PEERLESS FM UNIT

The FMC unit has all the same features as the Peerless FM unit, except in a self contained cabinet for smaller space requirements.

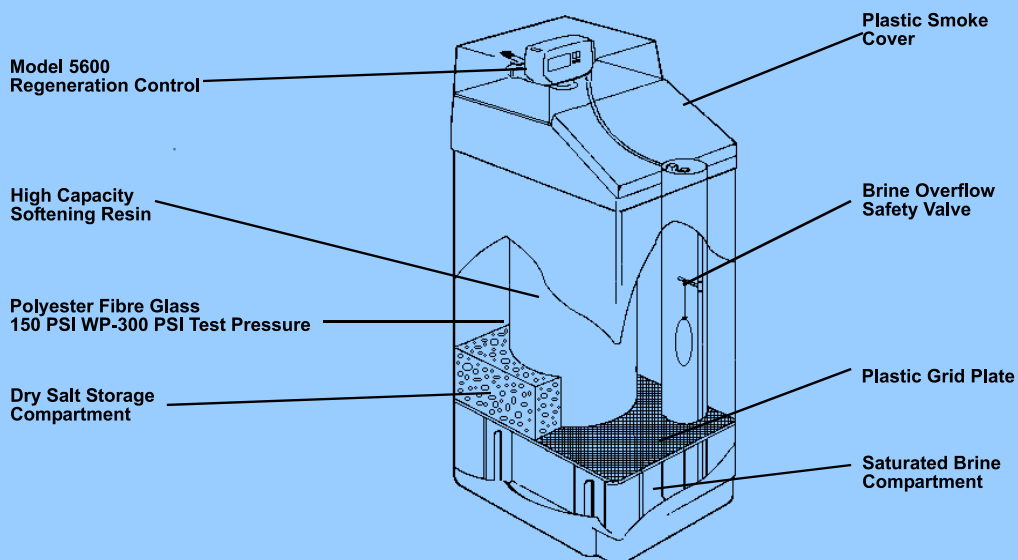
THE BRINE SYSTEM

The brine tank is constructed of molded, high impact plastic for durability and long life. The brine tank contains the fiberglass mineral tank, and the salt grid for dry salt storage. Provides clean brine solution.

A time brine refill control is backed up by a brine safety float shut-off valve to minimize the chance of overflow. The brine valve shut off measures the correct amount of brine automatically.



Model 5600 Meter Control Valve



Specifications: FM/FMC-3/4"

Model	Softener Tank Size	Maximum Work Pressure	Cubic Ft. Resin	Service Pipe Size	Exchange Capacity M GRS. - 15 lb. Salt	Exchange Capacity M GRS. - 6 lb. Salt	Steady Flow Rate - GPM	Intermittent - GPM	Backwash Flow - GPM	Brine Tanks	Salt Storage	Shipping Weight
20 FM (M)	8"x40"	100	2/3	3/4"	20	15	5	7*	2	18"x33"	250	75
30 FM (M)	9"x48"	100	1	3/4"	30	20	8	11*	3	18"x33"	250	95
45 FM (M)	10"x54"	100	1-1/2	3/4"	45	30	9	12*	3	18"x33"	225	120
60 FM (M)	12"x52"	100	2	3/4"	60	40	12	14*	4	18"x40"	300	150
<hr/>												
20 FMC (M)	8x35	100	2/3	3/4"	20	15	5	7*	2	15x26	200	79
30 FMC (M)	10x35	100	1	3/4"	30	20	8	11*	3	15x26	200	98

*Higher flow rates can be achieved with the possibility of greater pressure loss and hardness bleed through.

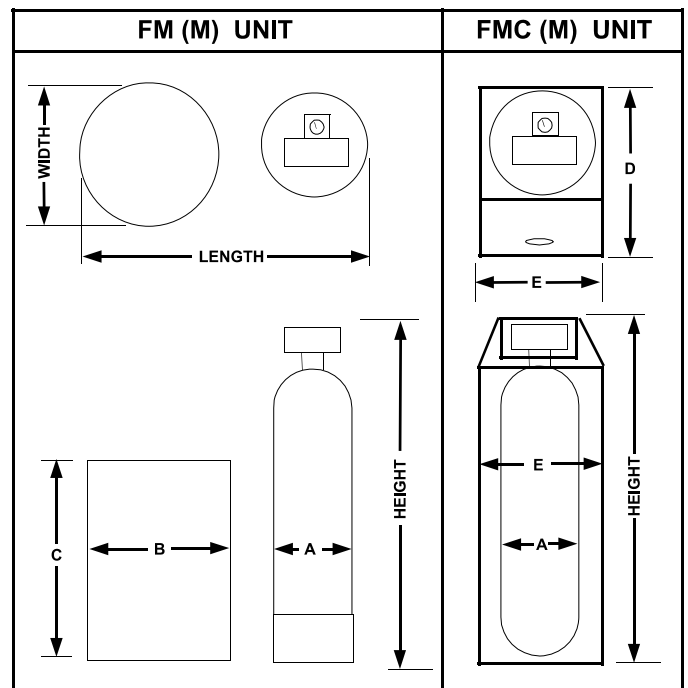
- ① Steady flow rates - based on pressure loss not to exceed 10 PSI at 15 GPM per Sq. Ft. bed area.
- ② Drains must be adequate for the disposal of backwash water at rates indicated for a period of 20 minutes.
- ③ Automatic hard water by-pass during regeneration standard.
- ④ Water softener tanks - polyester fibre glass - 150 PSI work pressure - 300 PSI test pressure.
- ⑤ Softening resin bed depths are based on manufacturer's recommendations and 50% freeboard for proper bed expansion with controlled back-wash rates.
- ⑥ Brine tanks - Polyethylene with covers.
- ⑦ 115V/60Hz electric supply required.
- ⑧ Macroporous (M) resin available as option for higher iron bearing waters.

Dimensions:

	HEIGHT	WIDTH	LENGTH	A	B	C	D	E
20 FM (M)	48"	18"	38"	8"	18"	33"	—	—
30 FM (M)	56"	18"	39"	9"	18"	33"	—	—
45 FM (M)	62"	18"	40"	10"	18"	33"	—	—
60 FM (M)	60"	18"	42"	12"	18"	40"	—	—
20 FMC (M)	44"	15"	26"	8"	—	—	26"	15"
30 FMC (M)	44"	15"	26"	10"	—	—	26"	15"

Warranty:

PEERLESS, INC. WILL guarantee: zero hardness water by soap or titrate test, under actual and normal operating conditions, that during the first three years the loss of mineral will not exceed 3% per annum, that the turbidity of the treated water will not be greater than the untreated water, due to the fault of equipment, that the underdrain system will not become fouled with turbidity, dirt, iron, rust or scale from the water softening system, while being operated according to factory instructions. PEERLESS, INC. will also guarantee the complete unit for a period of one year to be free of defects in workmanship or material. Any part proven defective will be repaired or replaced during this period FOB Factory.



Peerless, Inc.

Water Conditioning Equipment 1701 E. Vine St., P.O.. Box 3615, Kalamazoo, MI 49003-3615 (269) 344-6137 FAX: (269) 344-2894

www.peerlesswater.com

Revised 2/2005